

FIG. 1

Dated this 25 Day of June 2020

Digitally Signed :: Filed Via e-filing

Sarasija Padmanabhan
IN/PA-1803
Agent for the Applicant

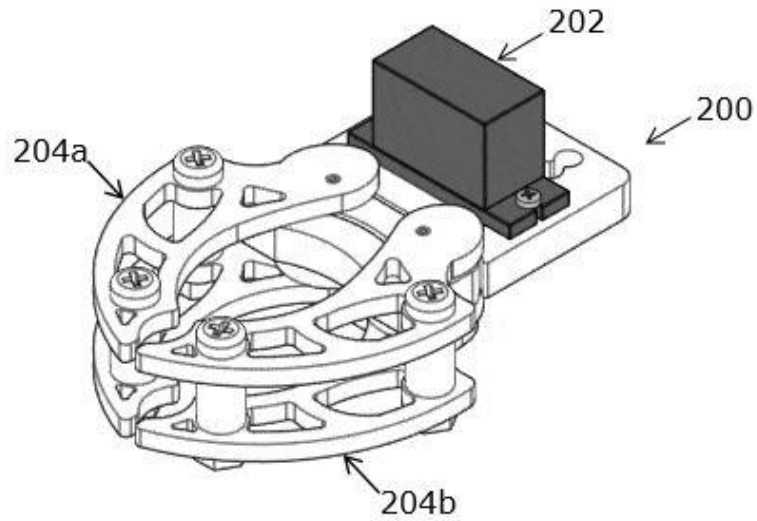


FIG. 2

Dated this 25 Day of June 2020

Digitally Signed :: Filed Via e-filing

Sarasija Padmanabhan
IN/PA-1803
Agent for the Applicant